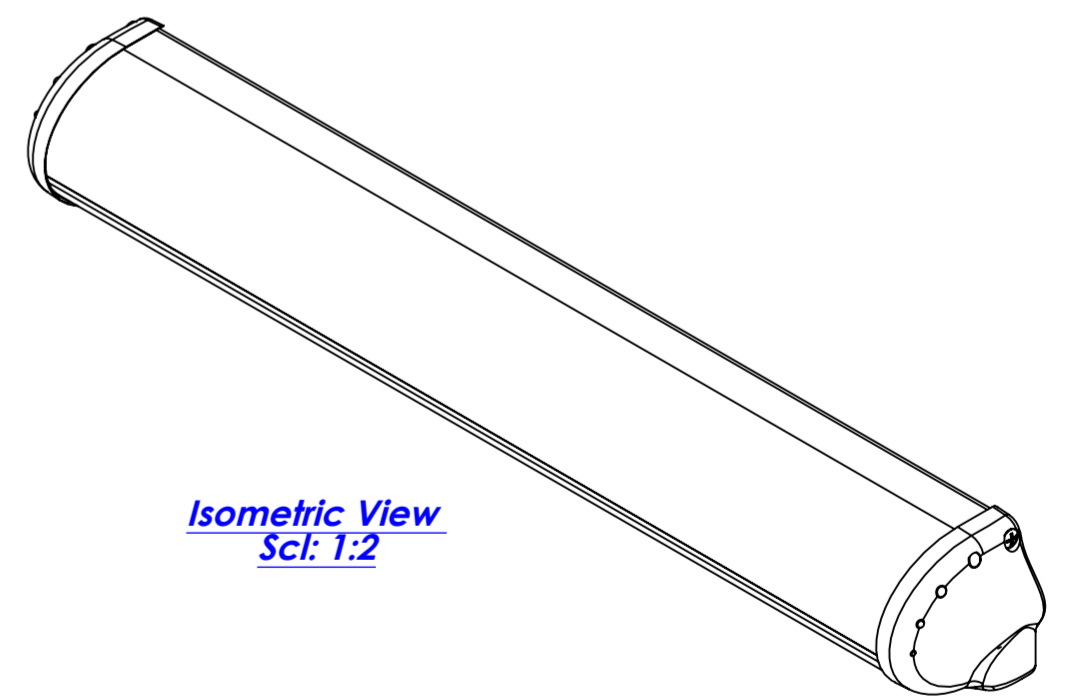


2x holes $\varnothing 6$ for screw
DIN 7981 N°8 x 1/2

2x Cable
entry hole $\varnothing 10$

VUE A



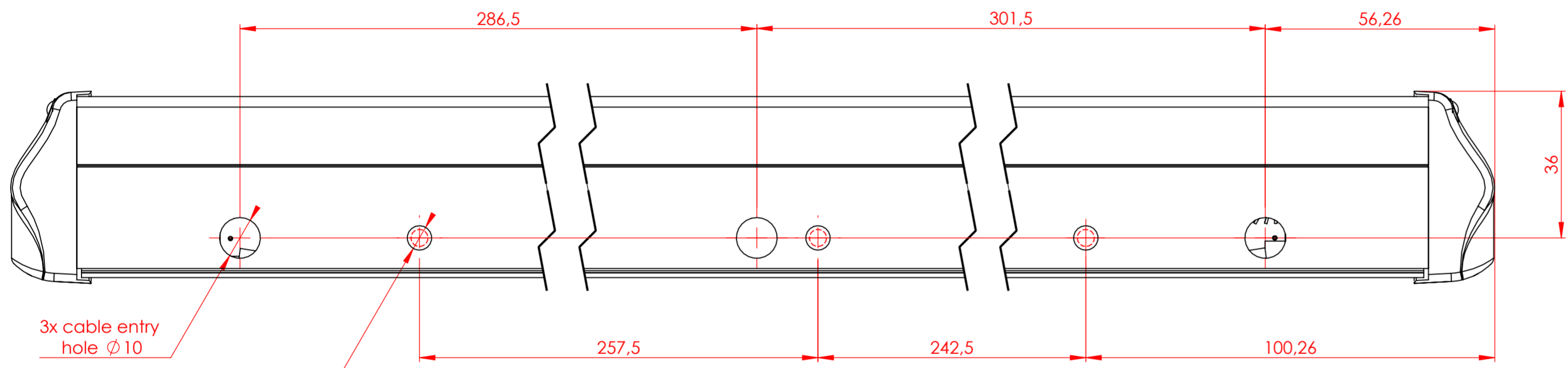
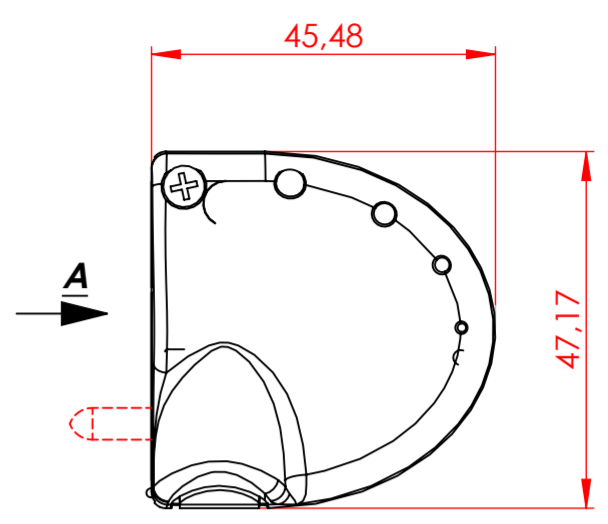
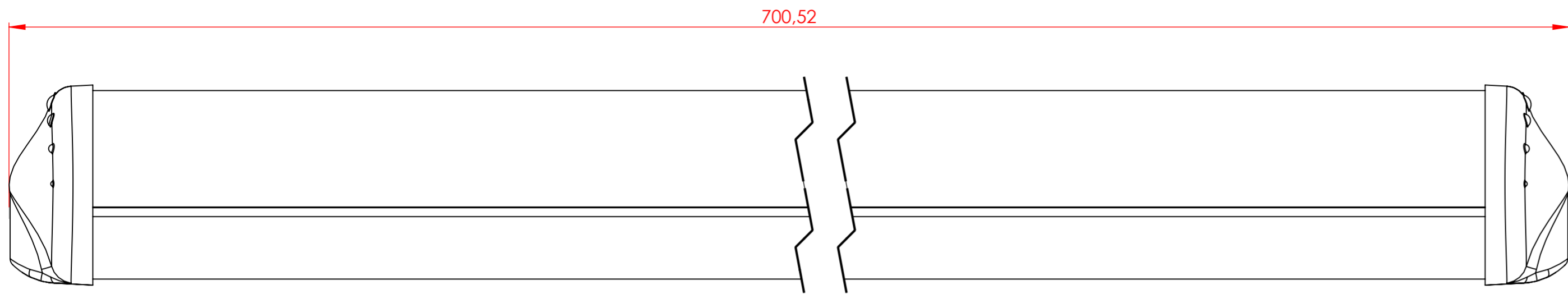
Isometric View
Sci: 1:2

Part Volume : mm ³ - Part Weight : gr		DRAWER : NBE	
THIS DRAWING IS THE PROPERTY OF BEA AND MAY NOT BE REPRODUCED WITHOUT WRITTEN AGREEMENT			
MODIFICATIONS LIST			
<i>Date :</i>	<i>By :</i>	<i>Description :</i>	<i>Ver. / Rev. :</i>
-	-	-	- / -
-	-	-	- / -
-	-	-	- / -
-	-	-	- / -
-	-	-	- / -
BEA A HALMA COMPANY www.bea.be		PROD. NAME : 4 Safe TITLE : Dim 350 mm GENERAL TOLERANCE : - MATERIAL : - TREATMENT : - 41.8615.01.PA.01	DATE : 20/09/2012 VERIFIED APPROVED SCALE : 1:1 SIZE : A2 PAGE : 1 / 1

PDM Project : E028 - 4Safe - File Name : 41.8615 - 4Safe DIM 350mm

H G F E D C B A

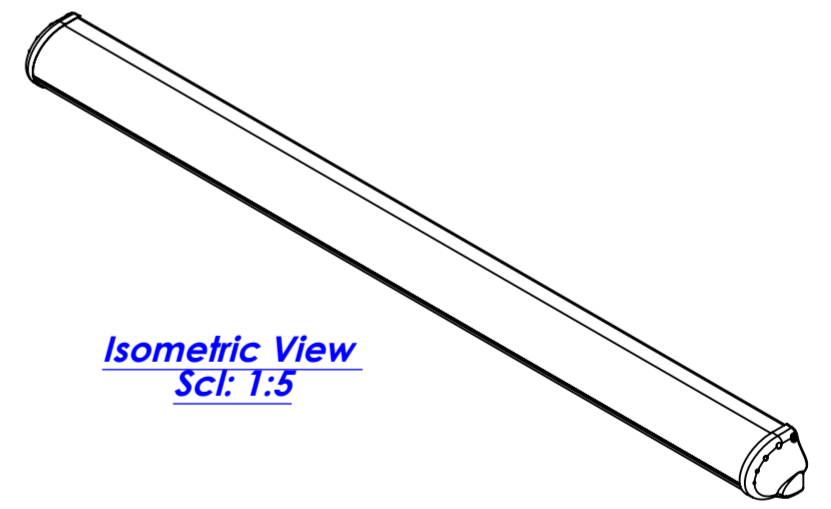
8 7 6 5 4 3 2 1



3x cable entry hole $\varnothing 10$

3x holes $\varnothing 6$ for screw DIN7981 N°8 x 1/2

VUE A



Isometric View
Sci: 1:5

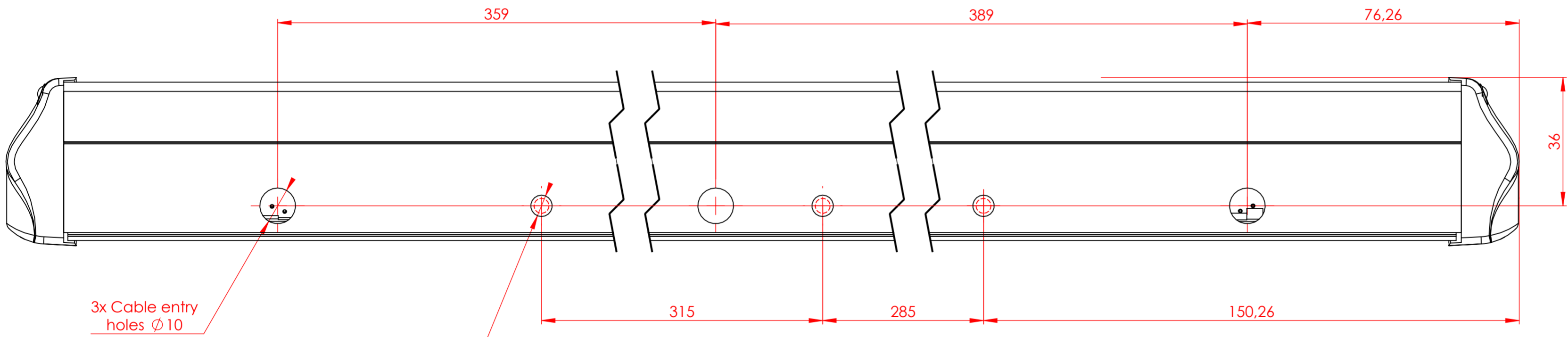
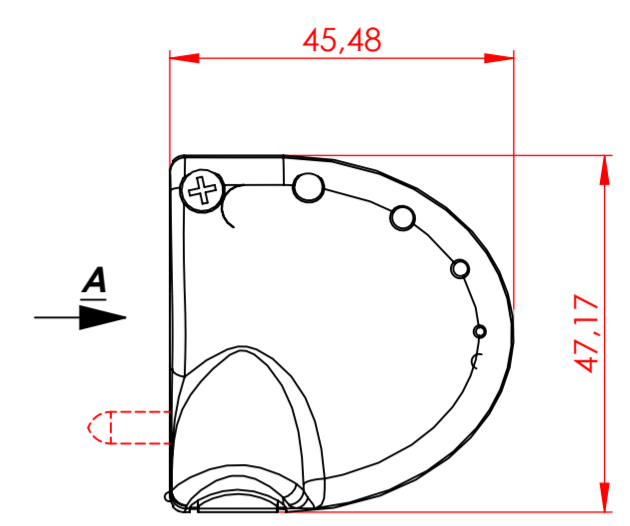
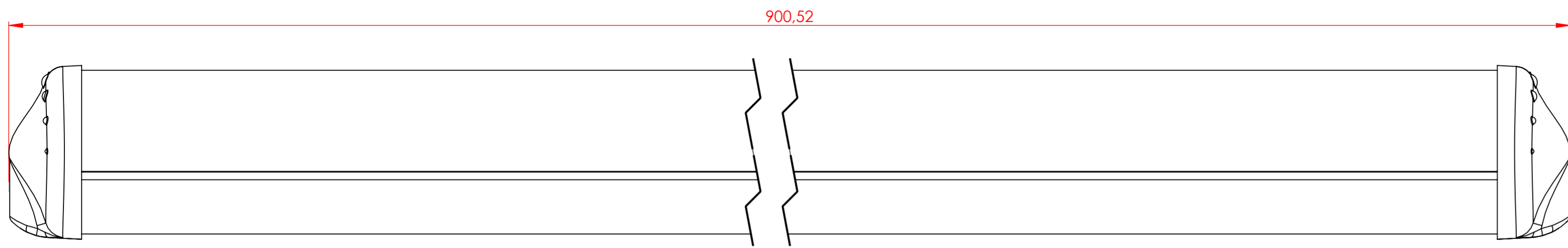
Part Volume : mm³ - Part Weight : gr

THIS DRAWING IS THE PROPERTY OF BEA AND MAY NOT BE REPRODUCED WITHOUT WRITTEN AGREEMENT

MODIFICATIONS LIST					
Date:	By:	Description:	Ver:	Rev:	
-	-	-	-	-	-
-	-	-	-	-	-
-	-	-	-	-	-
-	-	-	-	-	-

<p>A HALMA COMPANY WWW.BEA.BE</p>	PROD. NAME : 4 Safe TITLE : Dim 700 mm GENERAL TOLERANCE : -	DRAWER : NBE DATE : 20/09/2012 VERIFIED APPROVED
	MATERIAL : - TREATMENT : -	Objet Ver.Obj Doc. Rev.Doc. Scale Size 41.8616 .01 .PA .01 1:1 A2

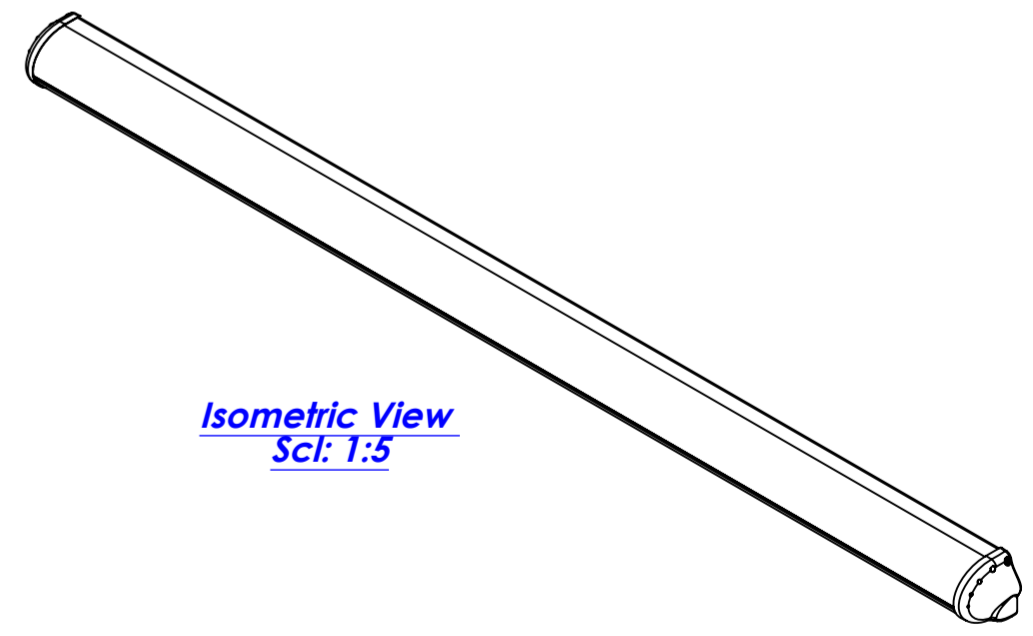
PDM Project : E028 - 4Safe - File Name : 41.8616 - 4Safe Dim 700mm



3x Cable entry holes $\phi 10$

3x holes $\phi 6$ for screws
DIN7981 N°8 x 1/2

VUE A




Isometric View
Sci: 1:5

Part Volume : mm³ - Part Weight : gr

THIS DRAWING IS THE PROPERTY OF BEA AND MAY NOT BE REPRODUCED WITHOUT WRITTEN AGREEMENT

MODIFICATIONS LIST					
Date:	By:	Description:	Ver:	Rev:	
-	-	-	-	-	-
-	-	-	-	-	-
-	-	-	-	-	-
-	-	-	-	-	-
-	-	-	-	-	-

 BEA A HALMA COMPANY WWW.BEA.BE	PROD. NAME : 4 Safe TITLE : Dim 900 mm GENERAL TOLERANCE : -	DRAWER : NBE DATE : 20/09/2012 VERIFIED APPROVED
	MATERIAL : - TREATMENT : - 41.8617.01.PA.01	Scale : 1:1 Size : A2

PDM Project : E028 - 4Safe - File Name : 41.8617 - 4Safe DIM 900mm