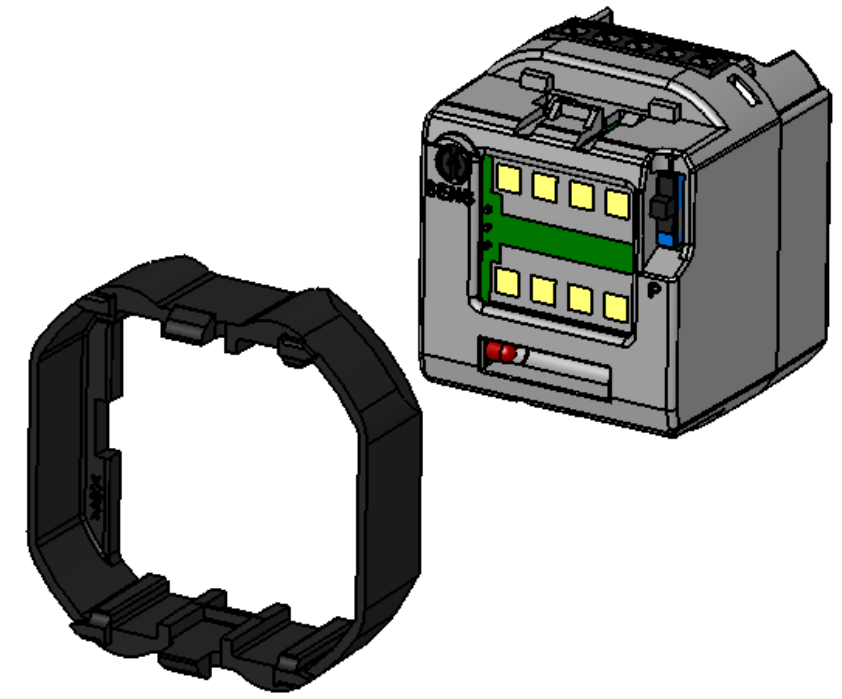
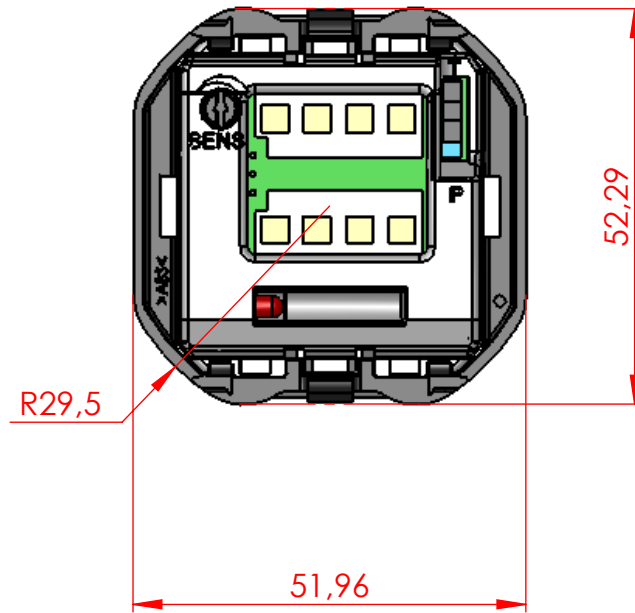
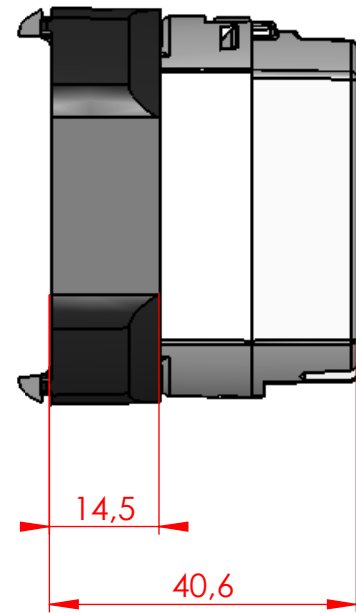
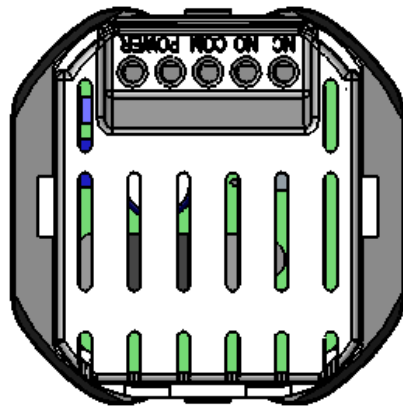


H G F E D C B A

4

4



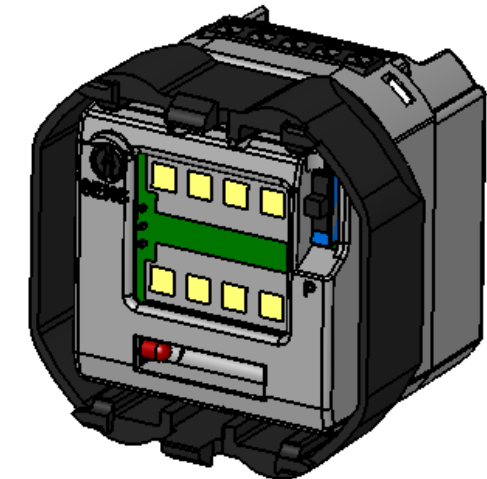
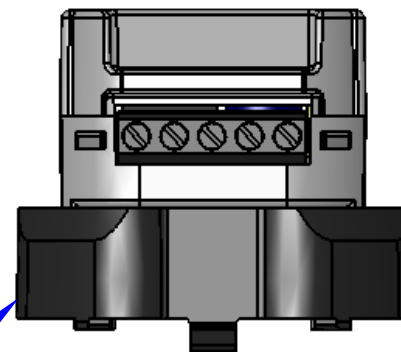
3

2

ADAPTER MAGIC SWITCH FOR GIRA SYSTEM 55 IS COMPATIBLE WITH:

- GIRA COVER FRAME STANDARD 55 - SYSTEM 55
- GIRA COVER FRAME E2 - SYSTEM 55
- HELIA JUNCTION BOX Nr 36/37/38
- HELIA JUNCTION BOX Nr 247

See pages 2 and 3 for BEA approved references



1

H G F E D C B A

Part Volume : mm³ - Part Weight : gr

THIS DRAWING IS THE PROPERTY OF BEA AND MAY NOT BE REPRODUCED WITHOUT WRITTEN AGREEMENT

MODIFICATIONS LIST

Date :	By :	Description :	Ver :	Rev :
-	-	-	-	-
-	-	-	-	-
-	-	-	-	-
-	-	-	-	-



PROD. NAME : E283 ADAPTER MAGIC SWITCH FOR GIRA SYSTEM 55

TITLE : EXTERNAL DIMENSIONS

GENERAL TOLERANCE : -

MATERIAL: - TREATEMENT: -

Objet Ver.Obj Doc. Rev.Doc. Scale Size

41.8644 . 01 . PA . 01 1:1 A3

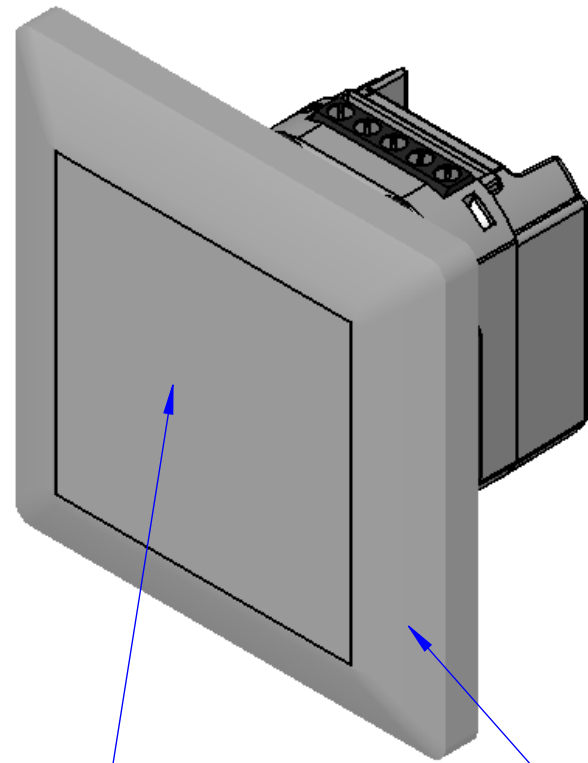
DRAWER : PR

DATE : 27/11/2012

VERIFIED APPROVED

PAGE: 1 / 3

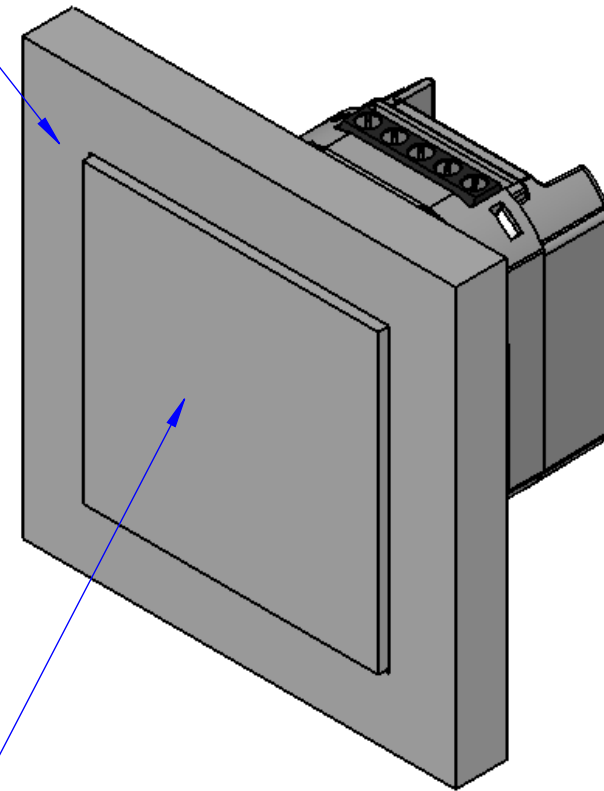
WARNING
 Magic Switch performance are respected for a Cover Frame thickness of 2.40 ± 0.2 mm



E2 COVER FRAME
 0211 29 / 0211 22 / 0211 23 / 0211 25

SYSTEM 55 COVER FRAME
 0211 01 / 0211 03 / 0211 04

SYSTEM 55 BLIND COVER PLATE WITH SUPPORT RING
 0268 01 / 0268 03 / 0268 26 / 0268 27 / 0268 28


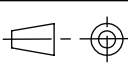


SYSTEM 55 BLIND COVER PLATE WITH SUPPORT RING
 0268 01 / 0268 03 / 0268 26 / 0268 27 / 0268 28

Part Volume : mm³ - Part Weight : gr

THIS DRAWING IS THE PROPERTY OF BEA AND MAY NOT BE REPRODUCED WITHOUT WRITTEN AGREEMENT

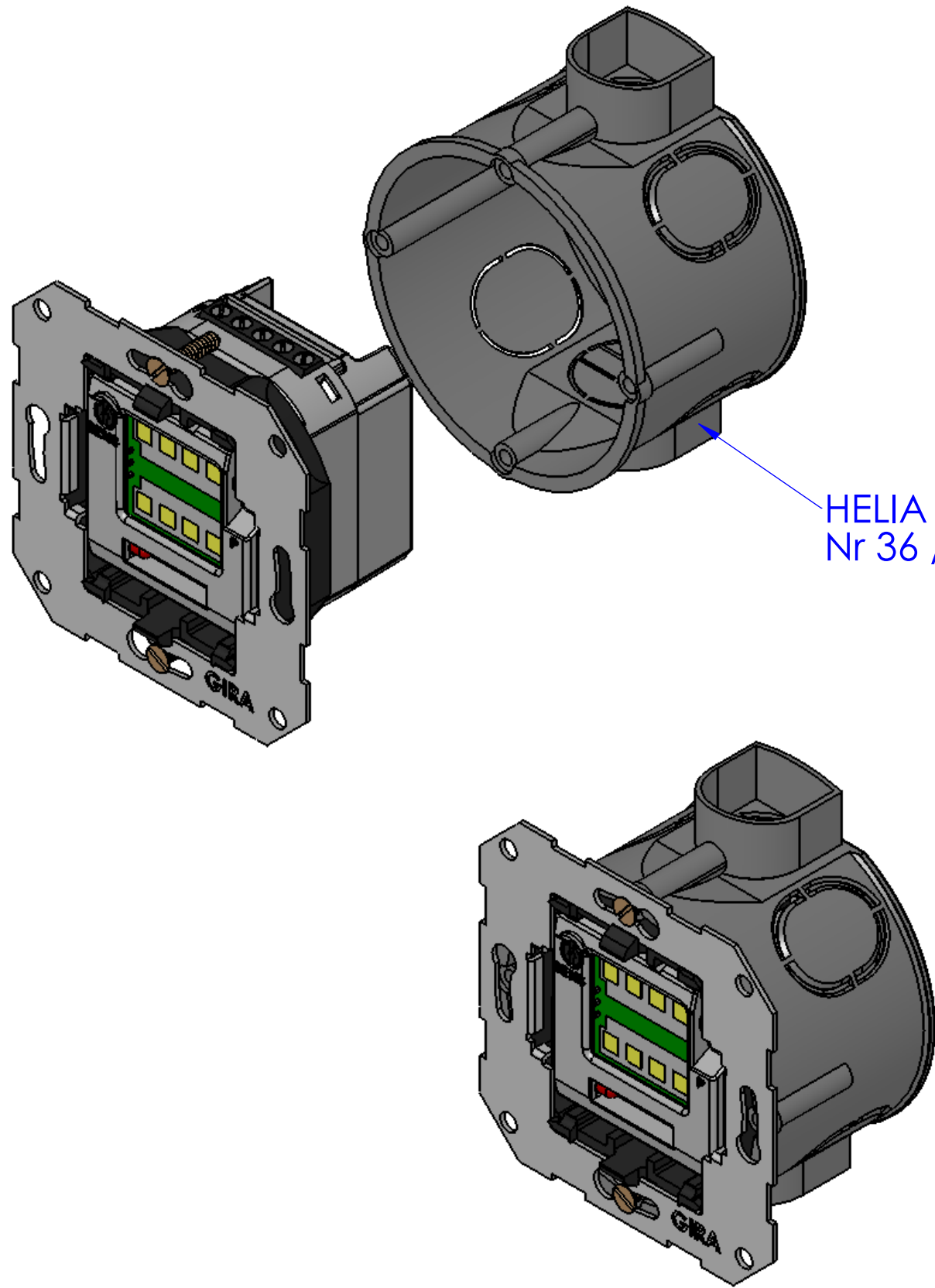
MODIFICATIONS LIST					
Date:	By:	Description:	Ver:	Rev:	
-	-	-	-	-	-
-	-	-	-	-	-
-	-	-	-	-	-
-	-	-	-	-	-
-	-	-	-	-	-

 A HALMA COMPANY WWW.BEA.BE	PROD. NAME : E283 ADAPTER MAGIC SWITCH FOR GIRA SYSTEM 55 TITLE : EXTERNAL DIMENSIONS GENERAL TOLERANCE : - MATERIAL : - TREATEMENT : -					DRAWER : PR DATE : 27/11/2012 VERIFIED APPROVED	
	Objet	Ver.Obj	Doc.	Rev.Doc.	Scale	Size	
	41.8644 . 01 . PA . 01			1:1	A3		
							PAGE: 2 / 3

H G F E D C B A

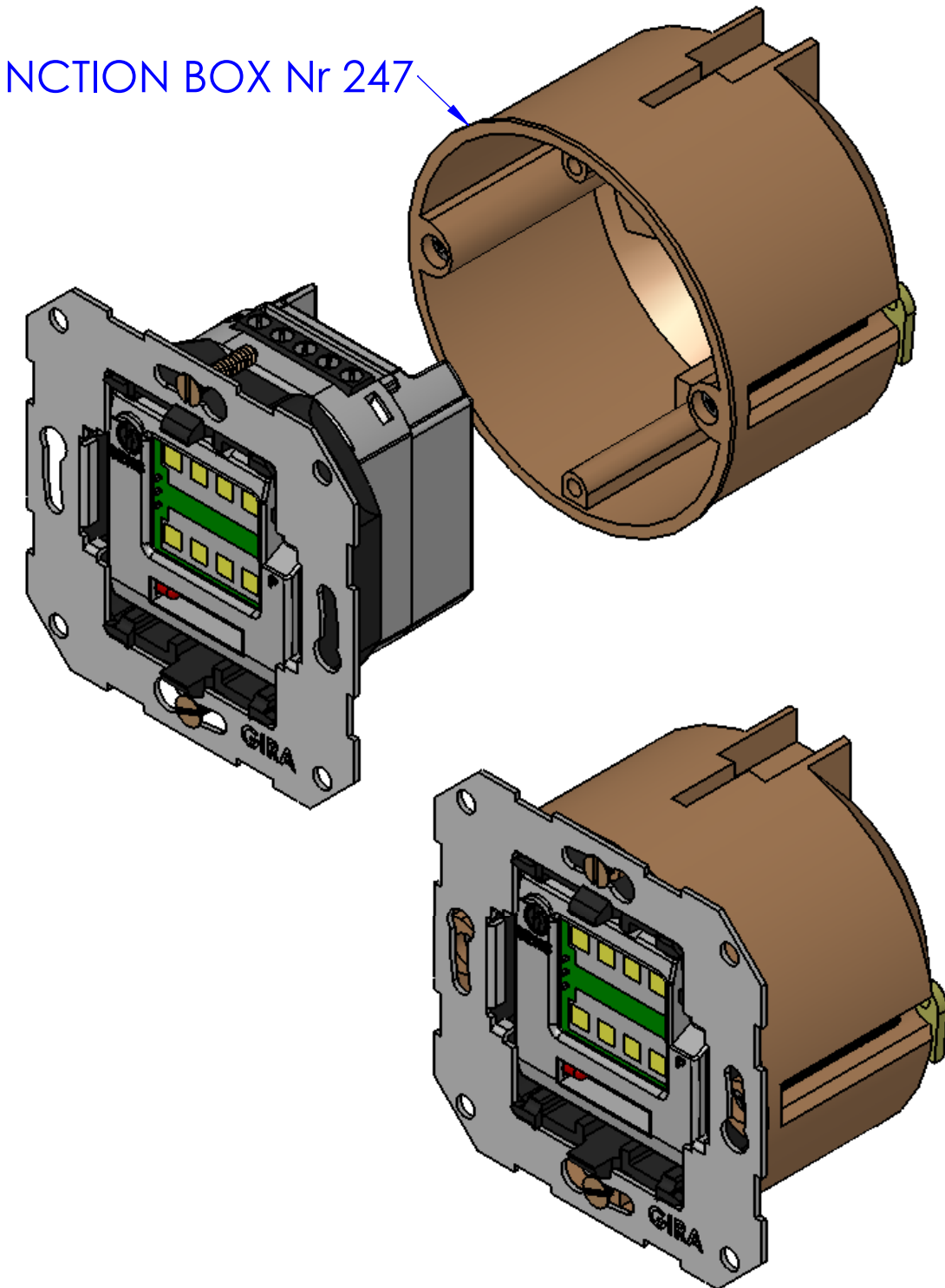
4

4



HELIA JUNCTION BOX:
Nr 36 / 37 / 38

HELIA JUNCTION BOX Nr 247



3

2

1

H G F E D C B A

Part Volume : mm³ - Part Weight : gr

THIS DRAWING IS THE PROPERTY OF BEA AND MAY NOT BE REPRODUCED WITHOUT WRITTEN AGREEMENT

MODIFICATIONS LIST

Date :	By :	Description :	Ver :	Rev :
-	-	-	-	-
-	-	-	-	-
-	-	-	-	-
-	-	-	-	-



PROD. NAME : E283 ADAPTER MAGIC SWITCH FOR GIRA SYSTEM 55

TITLE : EXTERNAL DIMENSIONS

GENERAL TOLERANCE : -

MATERIAL: - TREATMENT: -

Objet	Ver.Obj	Doc.	Rev.Doc.	Scale	Size
41.8644 . 01 . PA . 01				1:1	A3

DRAWER : PR

DATE : 27/11/2012

VERIFIED APPROVED

PAGE: 3 / 3